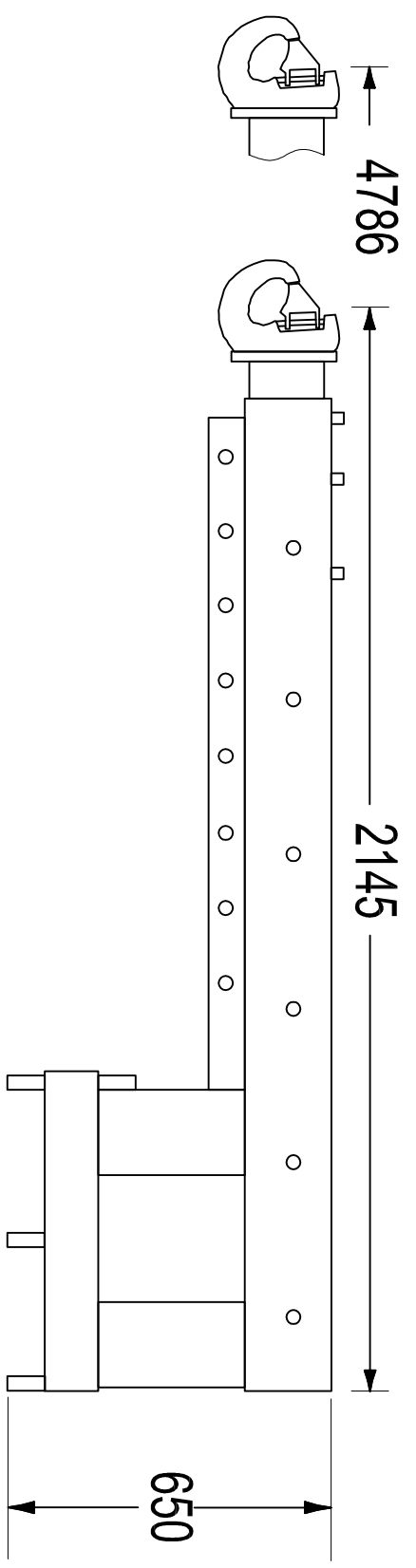
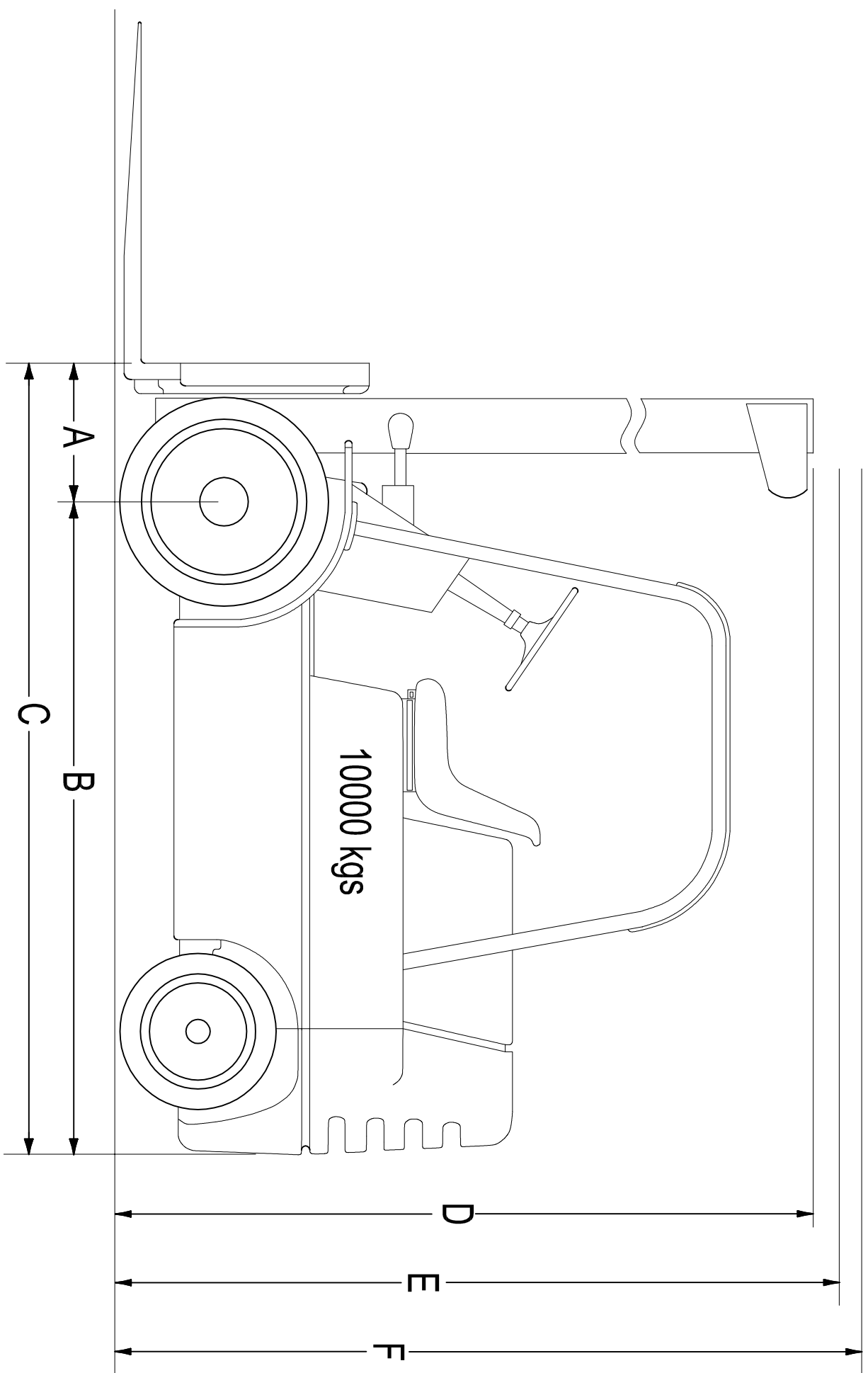


S150 - Triplex Mast



a	480	1' 7"
b	2395	7' 10"
c	2660	8' 9"
d	3300	10' 10"
e	7270	23' 11"
f	8350	27' 5"

- d** = closed height
- e** = fork lift height
- f** = total lift height



Make	Hyster	Drawn	Greg	Date	20/11/07	Revised
Model	S150a	Drawing No.	CADS150-TRPLX			