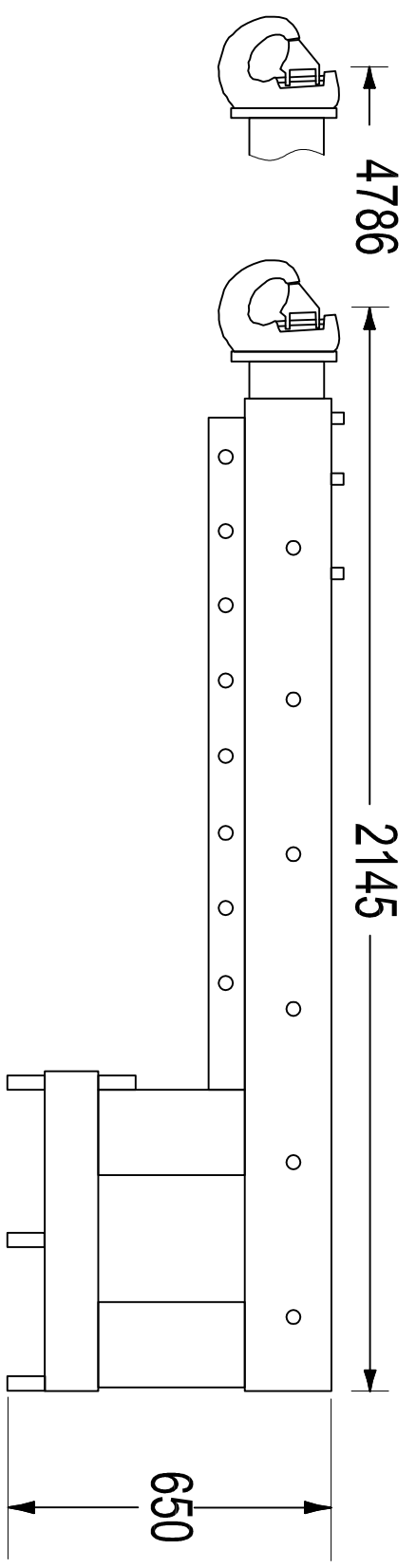
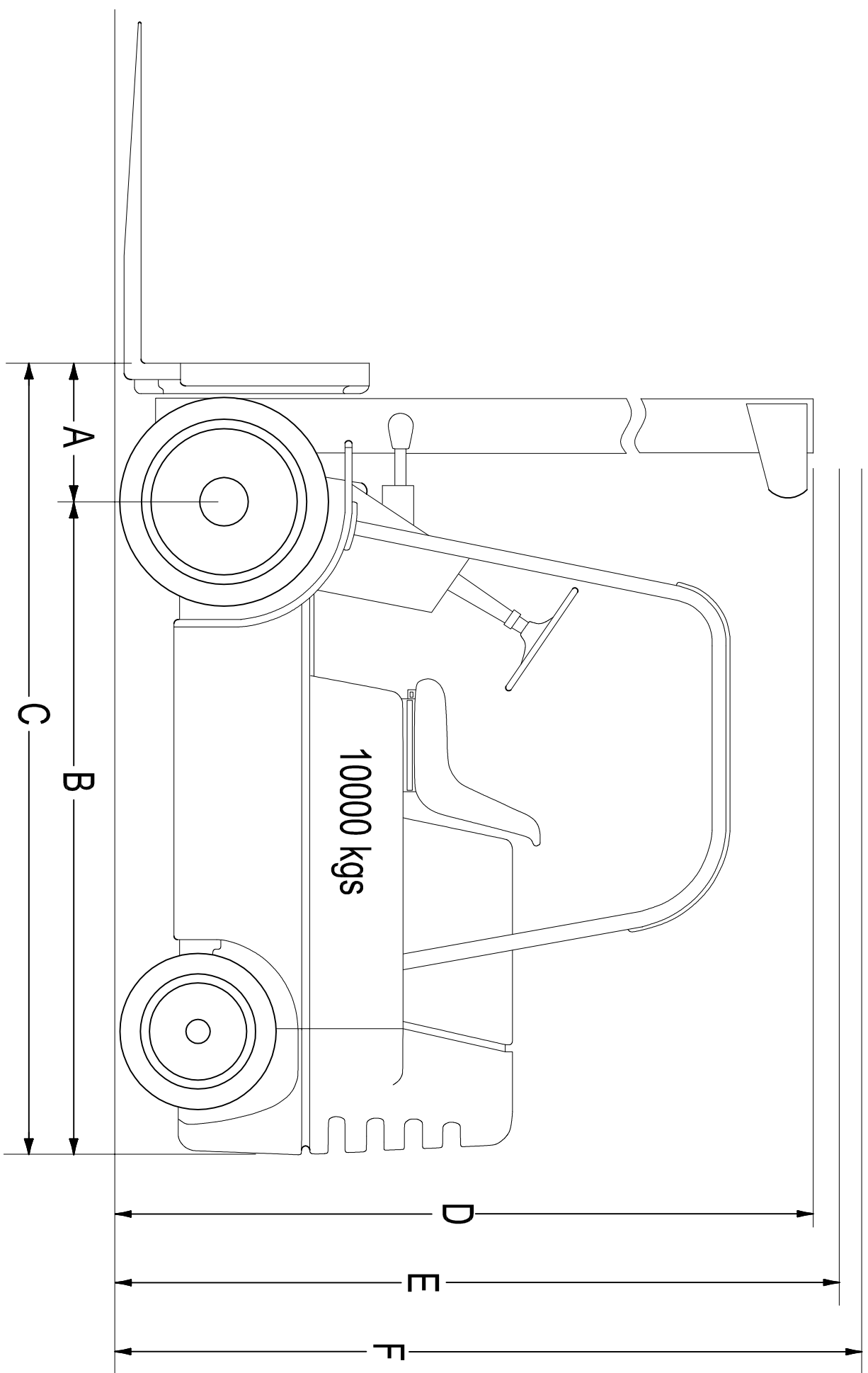


S150 - Duplex Mast



| | | |
|----------|------|--------|
| a | 480 | 1' 7" |
| b | 2395 | 7' 10" |
| c | 2660 | 8' 9" |
| d | 2270 | 9' 1" |
| e | 3050 | 10' |
| f | 4115 | 13' 5" |

- d** = closed height
- e** = fork lift height
- f** = total lift height



| | | | | | | |
|-------|--------|-------------|---------------|------|----------|---------|
| Make | Hyster | Drawn | Greg | Date | 20/11/07 | Revised |
| Model | S150a | Drawing No. | CADS150-DUPLX | | | |