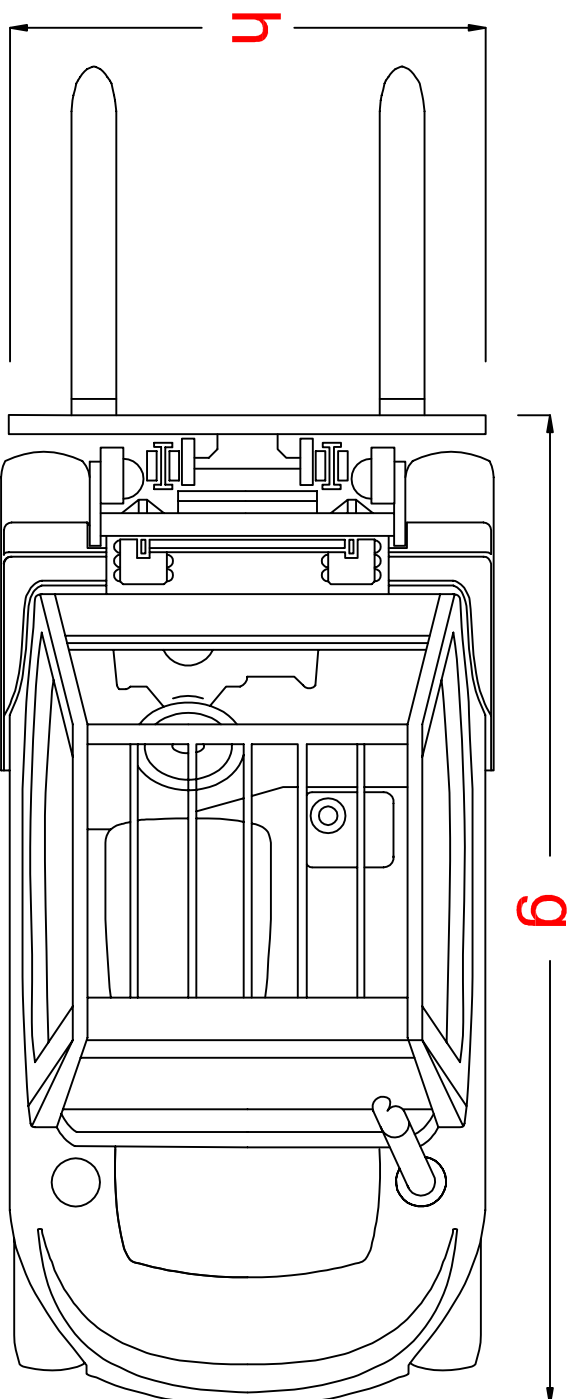
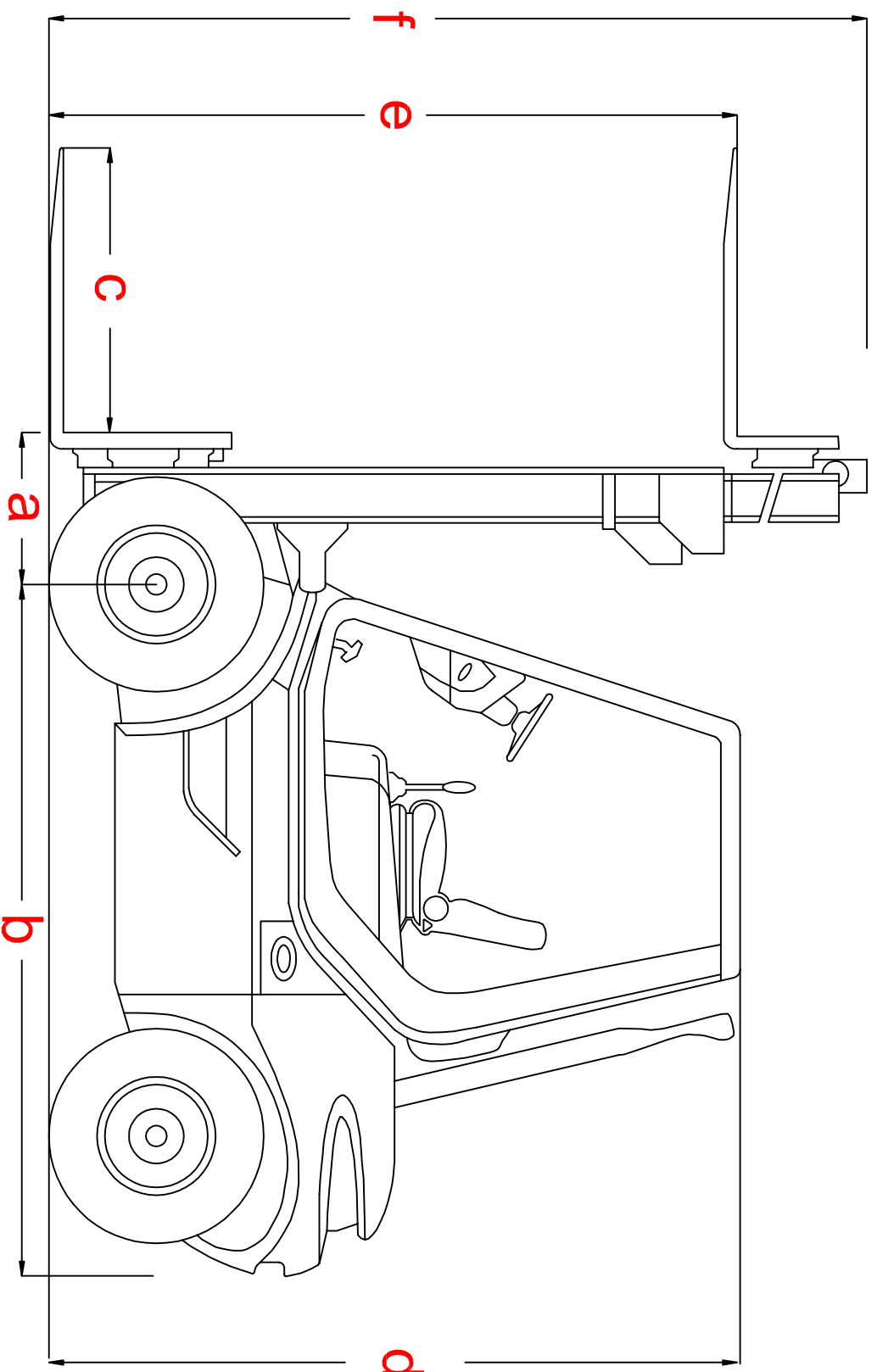
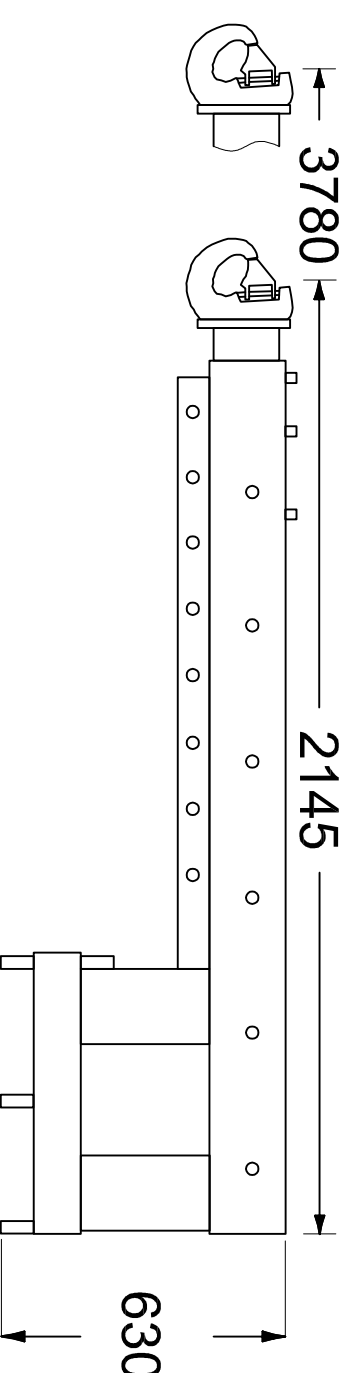


Linde 45



a	550	1' 10"
b	2500	8'3"
c	1190	3'11"
d	2265	7' 5"
e	4300	14' 1"
f	5140	16' 11"
g	3050	10'
h	1480	4' 10"



Make	Lansing Linde	Drawn	Greg	Date	20/11/07	Revised
Model	HD45	Drawing No.	CADLINDE-45			