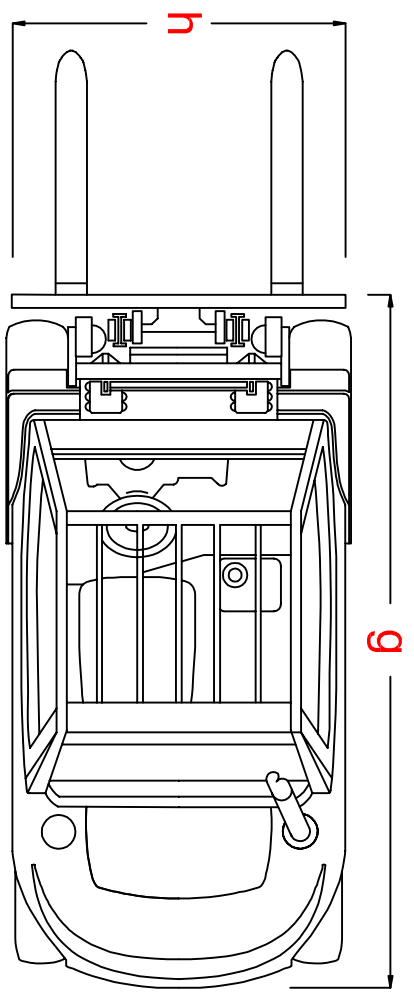
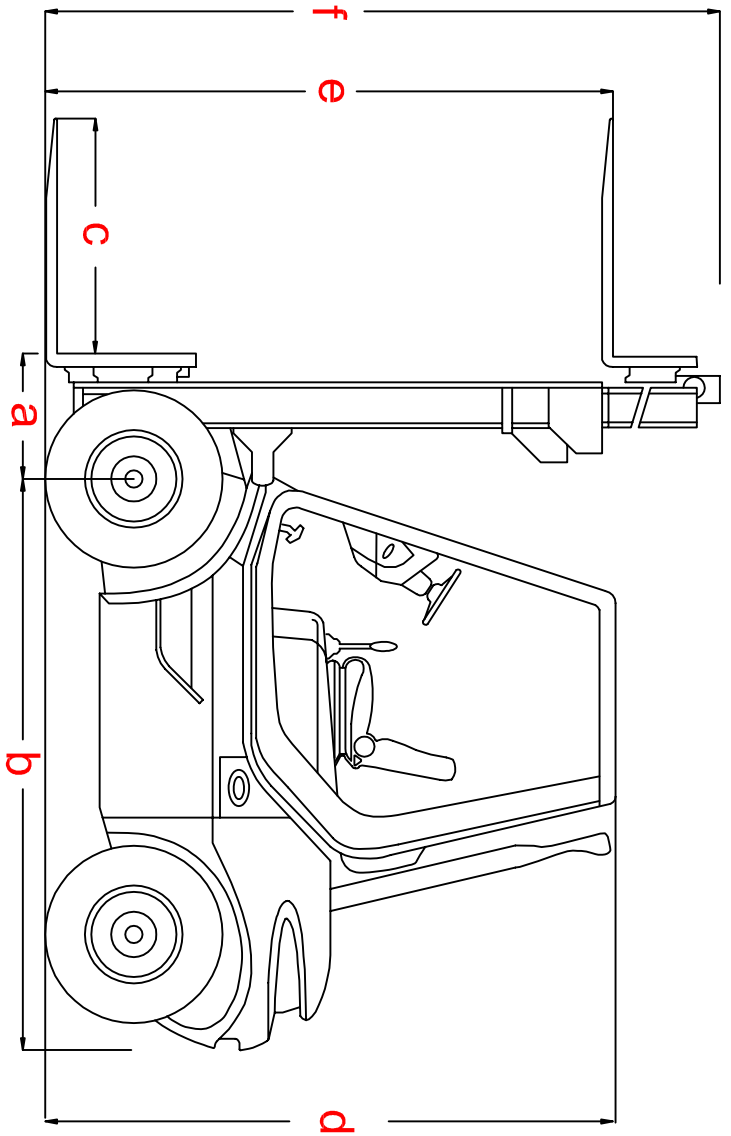
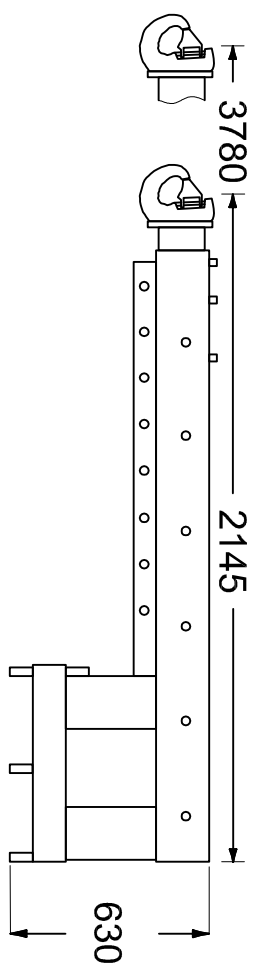


Linde 35



a	528	1' 9"
b	1920	6' 4"
c	1200	4'
d	2130	7'
e	4370	14' 4"
f	5120	16' 10"
g	2920	9' 7"
h	1410	4' 8"



Make	Lansing Linde	Drawn	Greg	Date	20/11/07	Revised
Model	HD35	Drawing No.	CADLINDE-35			