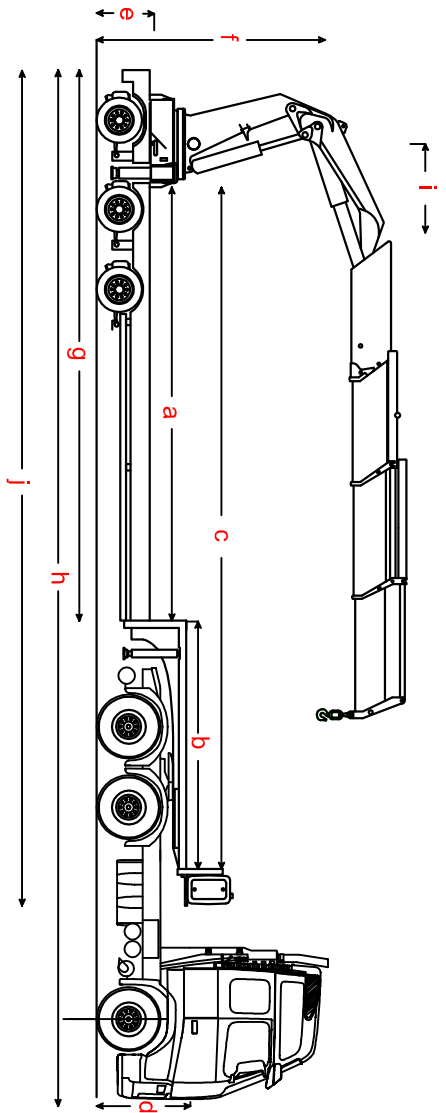


22000	20875	15050	11565	9255	7080	5590
3.85m	4.20m	5.95m	7.80m	9.70m	11.85m	14.10m

Dims	
a	7100 23'3"
b	4200 13'8"
c	11350 37'2"
d	1560 5'2"
e	900 3'
f	3600 11'8"
g	n/a n/a
h	16653 54'7"
i	1500 4'11"
j	13670 44'8"



Trailer	Deck	Swan Neck
Max Weights	40500	14000
Max Length	11560	37'10"
Max Width	2900	9'6"
Max Height	3900	13'10"

- * 2900mm = no further action
- * Up to 3500mm = movement order only
- * Over 3500mm = Movement order and second man
- * Over 4300mm = STGO only - Movement order second man + Escort



Crane	Fassi 1000.XP23	Drawn	Greg	Date	03/02/09	Revised
Vehicle	Volvo FH12	Drawing No.	CADSCU-F8			